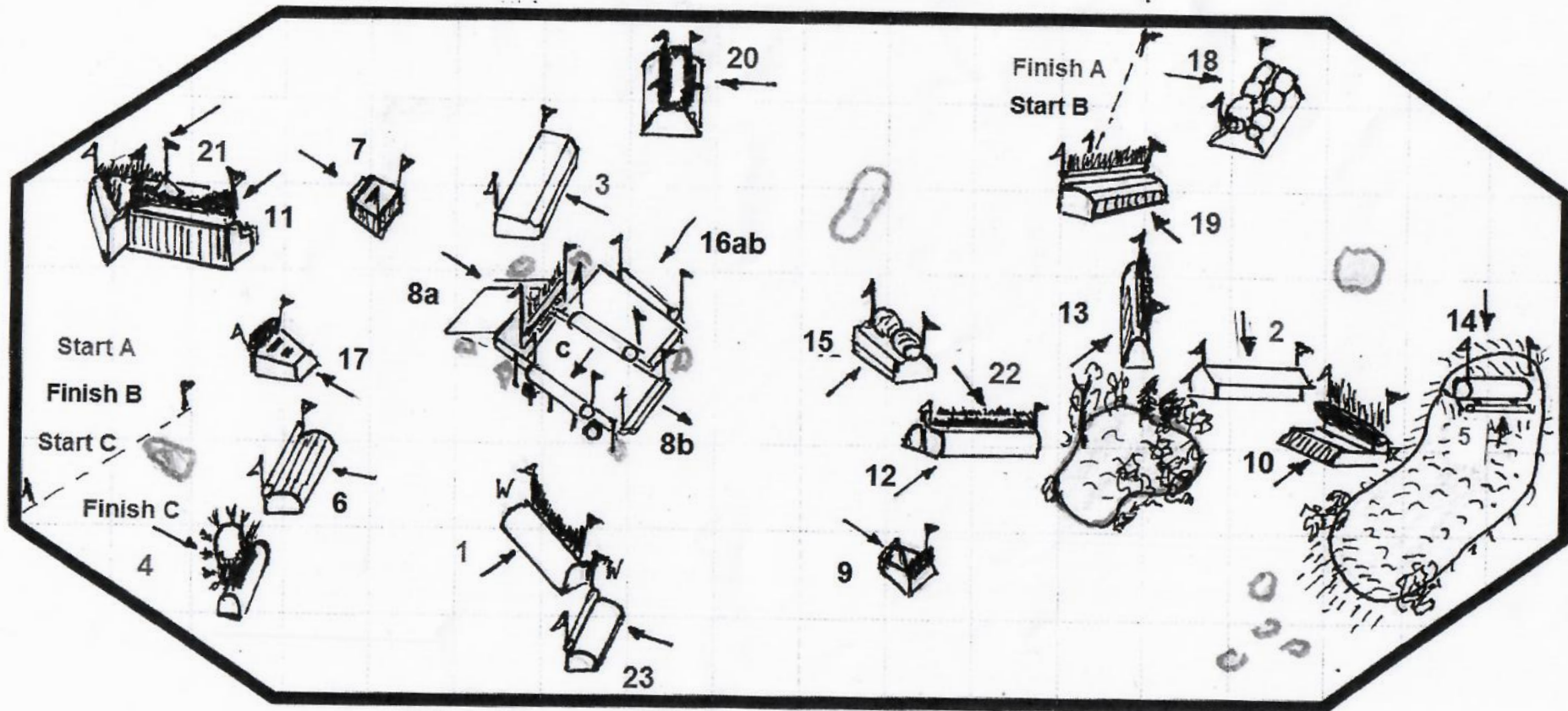


Stuttgart Schleyerhalle 2017 Indoor Derby

3-Phasen-Springprüfung mit festen Hindernissen Klasse M**



Phase A: Fence 1-5 length of the course: 320 m Speed: 420 m/min Time allowed: 46 sec Penalties: knock down 4, time per sec. 1

Phase B: Fence 6 – 17 length of the course: 550 m Speed: 420 m/min Time allowed: 79 sec Penalties: knock down 4, time per sec. 1

Phase C: Fence 18 – 23 length of the course: 310 m Speed: 470 m/min **Optimum time 40 sec** Penalties: knock down 4, time per sec. 1

In case of a refusal at element "b" or "c" of a combination the rider has no need to repeat element "a" (or "a" and "b")!

Coursedesigner: Gerd Haiber, Rüdiger Rau, Klaus Keßler TD: Gerhard Moser

Frangible fences: no. 6, 7, 19, 23 !!!